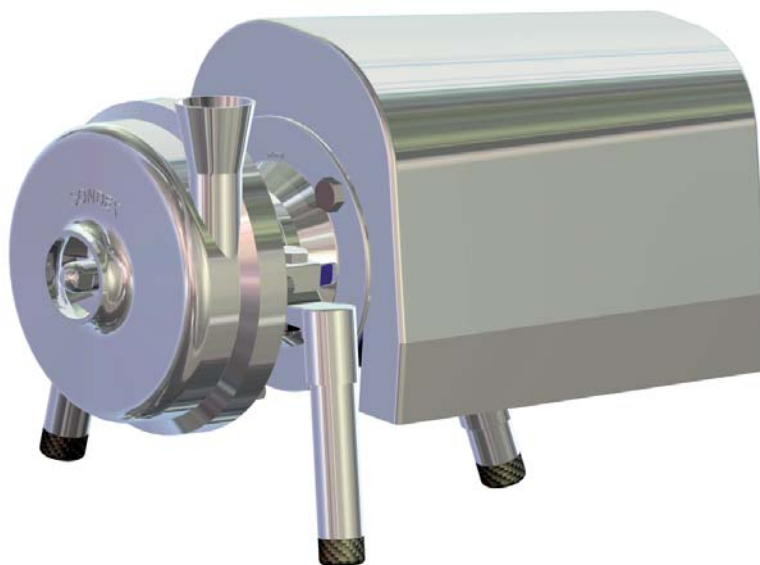




SONDEX

SONDEX SANITARY PUMP SSP SERIES



Product applications

Sondex can offer you a wide range of hygienic pumps for any application within the food and dairy industries, as well as in the breweries, chemical, personal care and pharmaceutical processing plants.

Hygienic design

The pump is based on a unique hydraulic design, which combines maximum efficiency with the highest hygiene standards. The design complies with the stringent EHEDG principles, featuring elastomers only in FDA approved materials.

Connections

Dairy unions according to all known standards.

Materials

Product wetted steel parts are steel 1.4404 AISI 316L
 Other parts: Steel 1.4301 AISI 304
 Polished finish.
 Product wetted seals: FDA approved EPDM or VITON

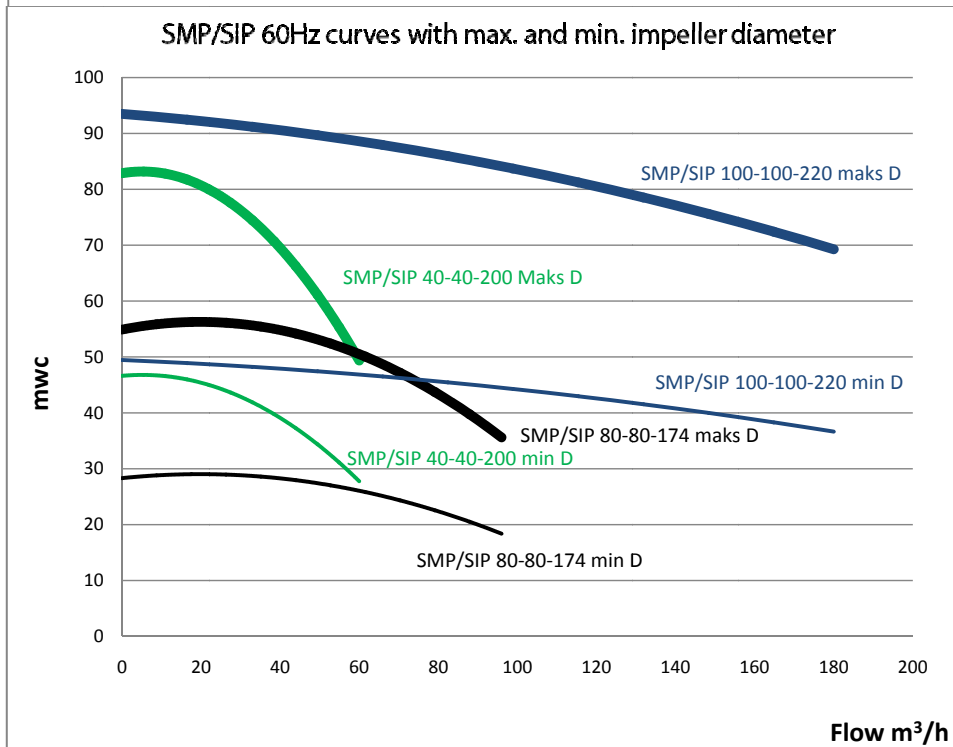
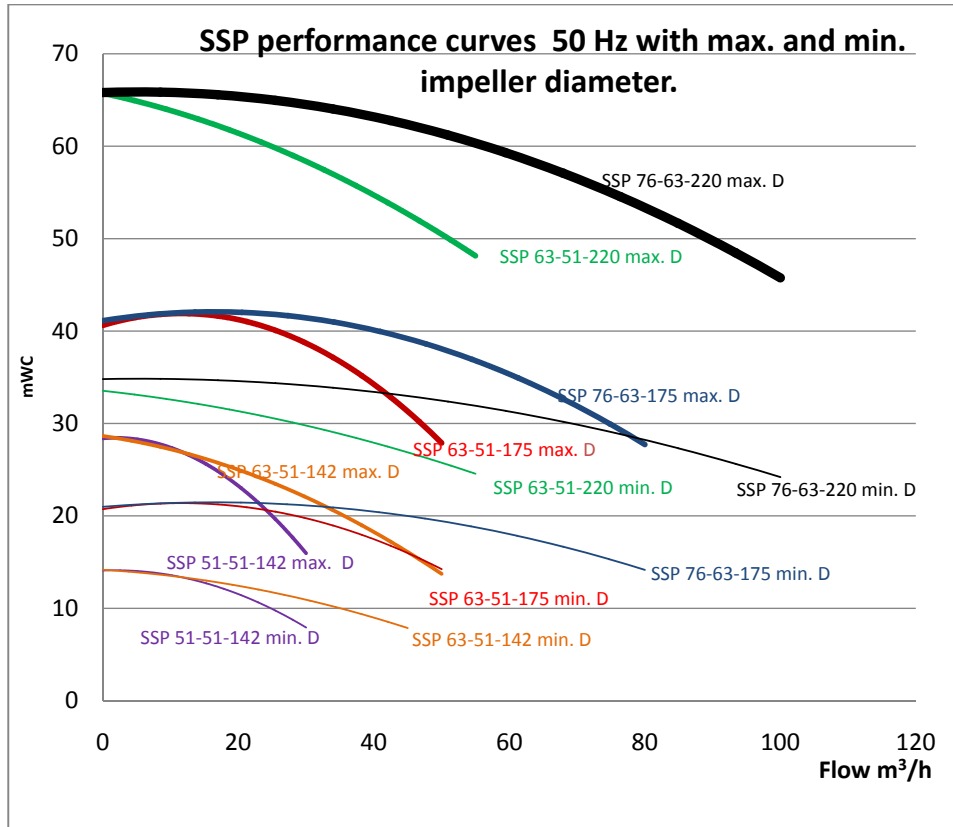
Features and benefits

- **High efficiency:**
The volute and the impeller design ensures high efficiency.
- **Gentle product treatment:**
The volute reduces turbulence and ensures gentle product handling.
- **A good NPSH:**
Secures good suction capacity and a gentle product treatment.
- **Low noise level**
- **Flexible design:**
Easy to change from single mechanical to double mechanical sealing.
- **Easy maintenance:**
Front-loaded shaft seal – fast and simple change of seal without special tools.

Performance

IN OUT	Max. impeller diameter	Min. impeller diameter
SSP - 51 - 51 - 142	20 m ³ /h / 22 mWC	20 m ³ /h / 11 mWC
SSP - 63 - 51 - 142	35 m ³ /h / 22 mWC	35 m ³ /h / 11 mWC
SSP - 63 - 51 - 175	35 m ³ /h / 35 mWC	35 m ³ /h / 20 mWC
SSP - 76 - 63 - 175	55 m ³ /h / 35 mVC	55 m ³ /h / 18 mWC
SSP - 63 - 51 - 210	35 m ³ /h / 60 mWC	35 m ³ /h / 30 mWC
SSP - 76 - 63 - 210	60 m ³ /h / 55 mWC	60 m ³ /h / 31 mWC

SONDEX SANITARY PUMP SSP SERIES



SONDEX A/S • JERNET 9 • DK-6000 KOLDING • DENMARK

SONDEX

Phone +45 76 30 61 00 Telefax +45 75 53 89 68 / +45 75 50 50 19 E-mail: info@sondex.dk